

www.simet.com.pl



DIGITAL
ELECTRICITY METERS



SIMLIC

SIMET S.A.
Al. Jana Pawła II 33
58-506 Jelenia Góra, Poland

Domestic sales
tel.: +48 75 64 71 492
sprzedaz@simet.com.pl

International sales
tel.: +48 75 64 71 481
export@simet.com.pl
export2@simet.com.pl



Bidirectional

- ✓ MID
- ✓ DIGITAL
- ✓ BACKLIT LCD
- ✓ RESET FUNCTION

SIMLIC

DIGITAL ELECTRICITY METERS

LS-3FB - bidirectional, single-zone electricity meter SIMLIC LS-3FB is designed for direct measurement of active electricity, which is collected and produced in the 3-phase installations. Furthermore, it can be used to carry out measurements in industrial and noncommercial applications. Also, it's perfectly suitable for photovoltaic installations – metering of the generated renewable energy. The LS-3FB meter indicates active power in [W] and active electricity in [kWh] – both consumed and produced (import / export).

LS-3F, LS-1F - these digital, single-zone electricity meters are intended for direct measurement of the consumption of active electricity in the 3-phase installations (LS-3F) and 1-phase installations (LS-1F). Furthermore, they can be used to carry out measurements in industrial and noncommercial applications. Also, they work perfectly as a meters or sub-meters of non-distribution settlements. The LS-3F meter indicates consumed active power in [W] and consumed active electricity in [kWh] and the LS-1F meter indicates consumed active electricity in [kWh].

LS-3FB



Bidirectional

LS-3F



LS-1F



Catalogue number	85 403 010	85 402 010	85 401 010
Collective packaging	1 pc	1 pc	1 pc
Reset function	Yes	Yes	No

Specification

Rated Voltage AC U_n	3 x 230 V / 400 V	3 x 230 V / 400 V	230 V
Rated impulse voltage U_{imp}	6 kV	6 kV	6 kV
Minimum current I_{min}	0,5 A	0,5 A	0,25 A
Reference current I_{ref}	10 A	10 A	5 A
Maximum current I_{max}	100 A	100 A	45 A
Starting current of the meter I_{st}	0,04 A	0,04 A	0,02 A
Rated frequency	50 Hz	50 Hz	50 Hz
Own consumption	≤ 2 W / 10 VA	≤ 2 W / 10 VA	≤ 2 W / 10 VA
Pulse output	1000 imp. / kWh	1000 imp. / kWh	1000 imp. / kWh
Maximum indication	999999,9 kWh	999999,9 kWh	99999,9 kWh
Standards	MID 2014/32/UE LVD 2014/35/UE EMC 2014/30/UE EN 50470 - 1 EN 50470 - 3	MID 2014/32/UE LVD 2014/35/UE EMC 2014/30/UE EN 50470 - 1 EN 50470 - 3	MID 2014/32/UE LVD 2014/35/UE EMC 2014/30/UE EN 50470 - 1 EN 50470 - 3

Performance criteria

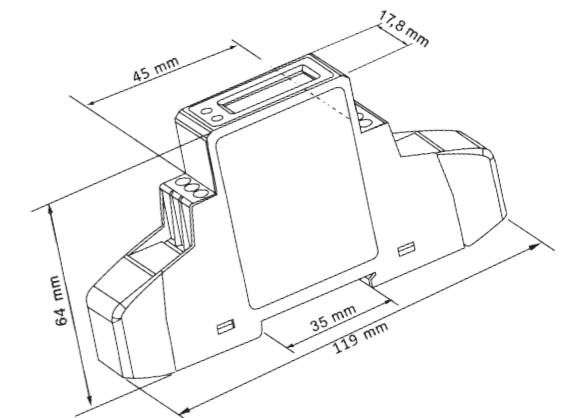
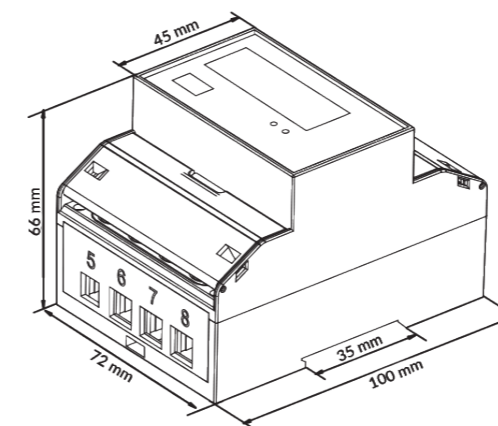
Acceptable humidity	≤ 95 %
Operating temperature	-25 °C ... +55 °C
Measurement accuracy class	Class B
Protection rating of housing	IP51
Insulation protection class	II
Start-up time	5 seconds

LS-3FB

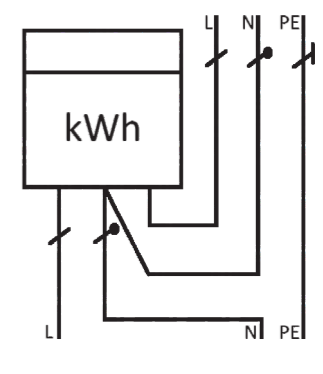
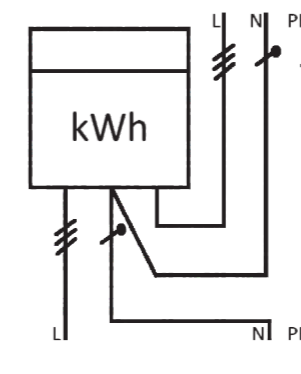
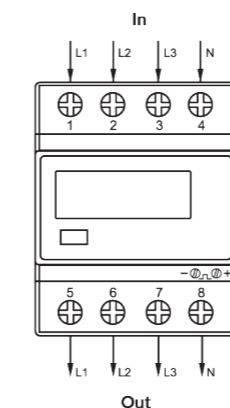
LS-3F

LS-1F

External dimensions



Connection diagram



	Pulse output
Voltage DC U_i	5 ... 27 V
Current I_{max}	27 mA
Pulse duration	30 ms

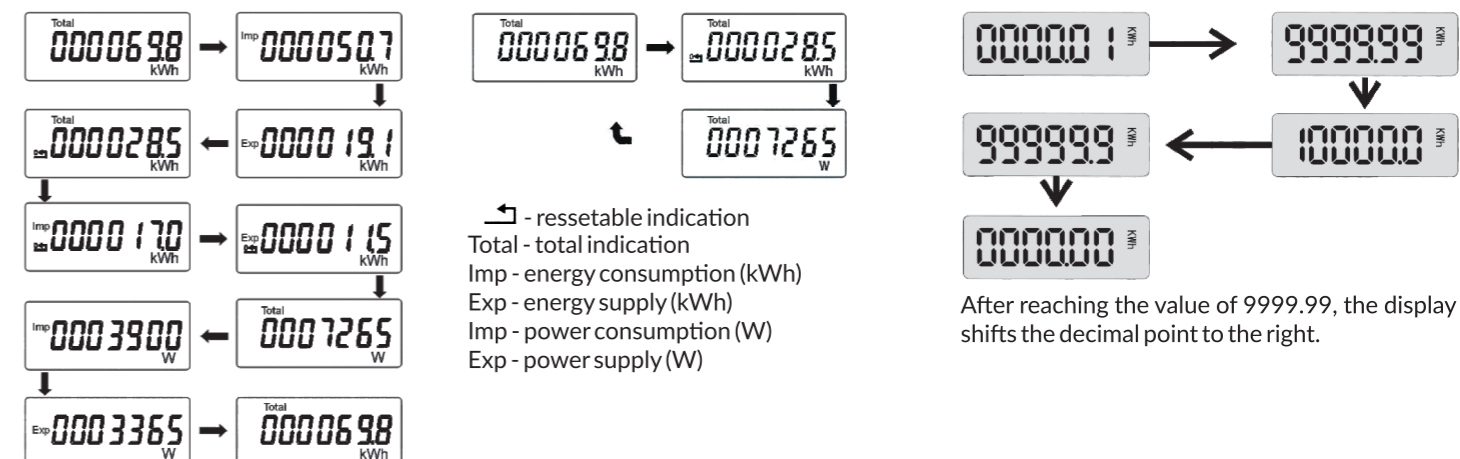
Nominal cross-section of connected wires	
rigid	4 ... 25 mm ²
flexible	2,5 ... 16 mm ²

	Pulse output
Voltage DC U_i	5 ... 27 V
Current I_{max}	27 mA
Pulse duration	80 ms

Nominal cross-section of connected wires	
rigid	2,5 ... 6 mm ²
flexible	1,5 ... 6 mm ²

These meters are equipped with an additional pulse output, which allows to connect an external counting device.

Functions of the display



Display menu of the LS-3F and LS-3FB meters can be scrolled with the use of reset button, which is located on the meter's front panel.